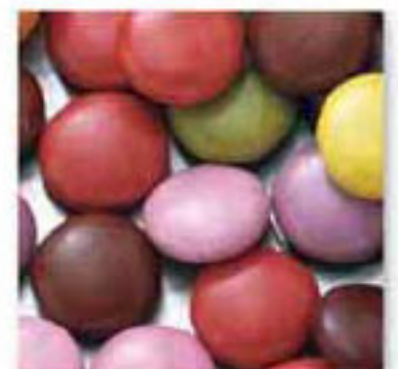


CCW-RS series

Advanced Multihead Weigher



Speed
Accuracy
Durability



Outstanding speed, accuracy and performance

With over 100 years of experience in weighing, Ishida maintains a reputation for developing unique technologies that deliver superior weighing and packaging performance.

Durable and Reliable

Dependable operation for maximum productivity

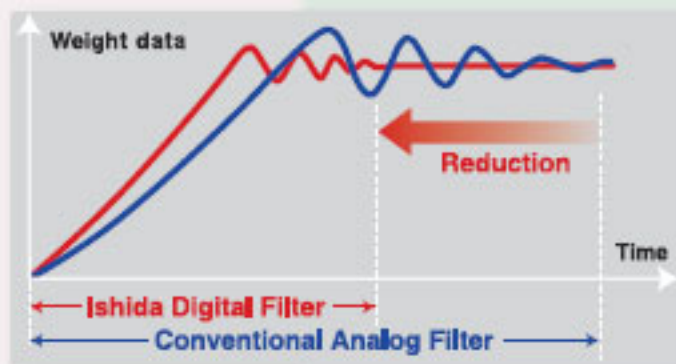
Ishida closely monitors quality control in all design and manufacturing processes.

- Stainless steel weigh/drive units protect against corrosion.
- Rugged construction for high production rates.
- Dustproof structure prevents infiltration of seasoning and other particulates.



High Speed, High Accuracy

High packaging efficiency



Fast and precise weighing improves productivity and profitability.

- Digital filtering ensures maximum speeds even under adverse conditions.
- Exclusive digital filtering technology guarantees stable high accuracy.
- Filter time is selectable to suit particular weighing conditions.

Sanitary Construction

Easy and fast cleaning

Available in washdown and dry models

Ishida weighers are built to facilitate cleaning, improving efficiency by reducing product changeover times.

- Hoppers with rounded corners and no external springs minimize areas for build-up of dust and product waste.
- Hoppers, radial feeder troughs and discharge chutes are easily removed and installed without tools.
- Full hopper open lock position allows thorough cleaning.



Simple Operation

Easy to set up and control

- Interactive menus clearly displayed on a 10.4" touch screen panel are easy to follow and operate.
- Auto Feeder Drive (AFD) automatically sets the best rates for optimum weigher performance.
- Timing sequences easily controlled through screen settings.
- Diagnostics Menu allows quick checks of signal status and drive parameters.



Versatile and Cost Effective

Meets diverse customer needs

- Standard general-use software and a competitive price support a wide range of user requirements.
- Error messages display to assist troubleshooting.
- Discharge modes, such as Multi-Dump and Stagger Dump, are selectable to suit the weight and volume of different products.
- Hopper open/close apertures are settable to maximize operating efficiency.



[Production Screen]



[Feeder Adjustment Screen]

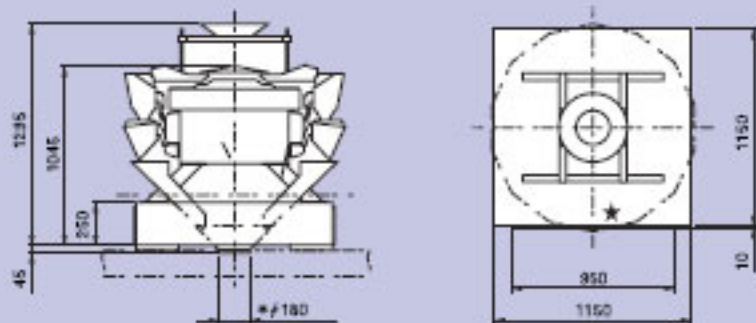


[Total Screen]

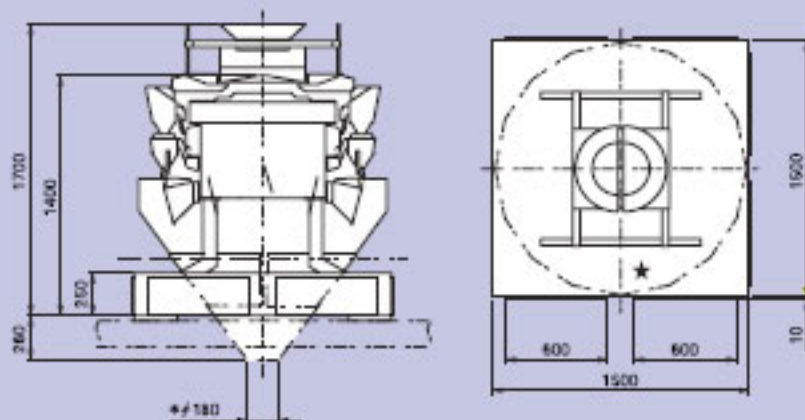
● DIMENSIONS

Units: mm

CCW-RS-214



CCW-RS-216



● SPECIFICATIONS

Model	CCW-RS-214		CCW-RS-216	
	Weighing Capacity/Range (per single dump)	up to 400g	up to 800g	up to 400g
Weighing Accuracy (MAX)*	$\bar{X} < 0.5g \sim 1.0g$	$\bar{X} < 1.0g \sim 2.0g$	$\bar{X} < 0.5g \sim 1.0g$	
Maximum Volume for Weighing (per single dump)	4.5 litres			
Weighing Speed (MAX)**	110 WPM		180 WPM	
Minimum Graduation	0.1g	0.2g	0.1g	0.2g
Touch Screen Display (RCU)	10.4" TFT Color LCD (800×600 dots)			
Display Language	Multilingual			
Weigh Cell	Double-beam strain gauge load cell			
Number of Presets	200			
Machine Weight	550kg		750kg	
Options	Various options are available. Please contact Heat and Control.			
Structure	IP50 Approval			

Design and specifications are subject to change without notice.

*Depends on target weight, weighing speed and conditions.

**Depends on product shape, product density, target weight, etc.

Ishida, the world leader in weighing technology, also manufactures a full line of checkweighers.



ISHIDA CO., LTD.

44 SANNO-CHO, SHOGOIN, SAKYO-KU
 KYOTO, 606-8392 JAPAN
 PHONE : 81-75-771-4141
 FACSIMILE : 81-75-751-1634
 URL: <http://www.ishidajapan.com>



HEAT AND CONTROL, INC.

21121 CABOT BLVD.
 HAYWARD, CA 94545-1132 USA
 PHONE: 1 (800) 227-5980
 1 (510) 259-0500
 FACSIMILE: 1 (510) 259-0600
www.heatandcontrol.com
info@heatandcontrol.com