

2-EZ[®] HS / 2-EZ[®] SB 2-EZ[®] SB Plus

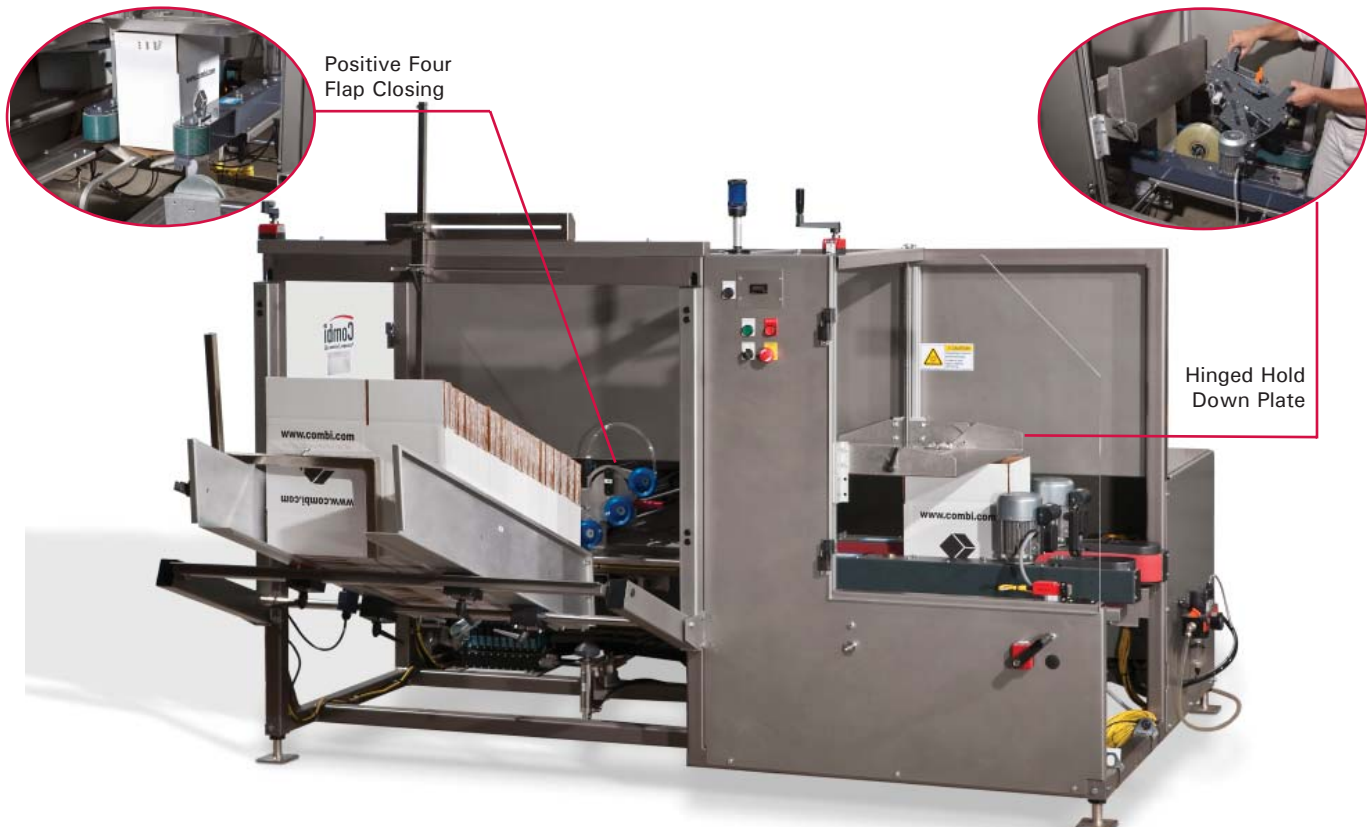


High Speed Case Erectors/Bottom Tapers

Combi Packaging Systems LLC is raising the bar for case erecting innovation with our high speed, side belt drive case erectors. Engineered with the industry's strongest frame (lifetime warranty) for the most demanding 3-shift environments, the 2-EZ[®]SB and 2-EZ[®]HS can readily integrate into your existing line at speeds up to 20 cpm. The 2-EZ[®] side belt drive units are designed for years of dependable service and can form and seal the widest variety of cases, from single wall to triple wall corrugated. With features that contribute to lowering your cost of ownership, Combi high speed case erectors have never been easier to maintain and operate.

Design Enhancements:

- No overhead cross members in doorways provides easy access for maintenance
- Hinged case hold down plate allows for easy tapehead removal
- Only 5 adjustment points with digital indicators - the tapehead and side belts adjust together
- Positive four flap closing - rotary actuators and a fixed guide close the major flaps, which provides for smooth and gradual closing of the major flaps.
- Overall footprint reduced 8" freeing up valuable floor space
- Incorporated Piab vacuum generator at the cup results in half the amount of energy consumed
- Electrical enclosure now with 35% more panel space, allowing for future integration of conveyor and other optional equipment



2-EZ[®]HS / 2-EZ[®]SB 2-EZ[®]SB Plus

2-EZ[®]HS Features:

- Up to 20 cases per minute
- EZ Load Walk-In 45" Powered Magazine
- Positive Four Flap Closing
- Heavy Duty Welded Steel Construction
- Combi HS High Speed 2" Tape Head
- Servo Driven Carriage Assembly
- Dual Belt Drive Case Indexing
- Panelview 300 OIT Providing Production Feedback
- Self-Cleaning Vacuum System

2-EZ[®]SB and 2-EZ[®]SB Plus Features:

- 2-EZ[®]SB up to 15 cases per minute
- 2-EZ[®]SB Plus up to 12 cases per minute
- EZ Load Walk-In Gravity Case Magazine
- Positive Four Flap Closing
- Heavy Duty Welded Steel Construction
- 3M Accuglide™ 2" Tapehead
- Pneumatic Carriage Assembly
- Dual Belt Drive Case Indexing
- Push Button Controls
- Self-Cleaning Vacuum System



The Combi 2-EZ[®]HS, 2-EZ[®]SB, 2-EZ[®]SB Plus are capable of erecting and sealing the widest range of case sizes and styles.

- RSC Regular Slotted Case
- CSSC With Meeting Minors
- RSC With 5th Panel Partition

Distributed by:

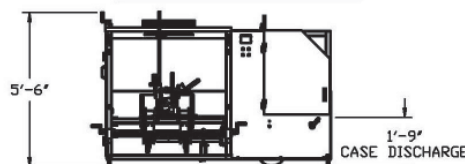
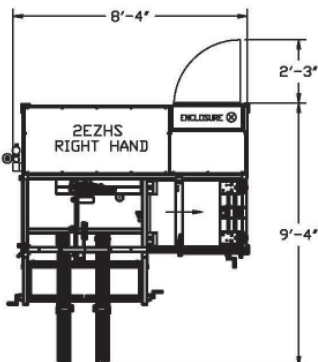
Electrical Service:

- 2-EZ[®]HS 230 volt / 3 ph / 20A
- 2-EZ[®]SB 120 volt / 1 ph / 15A
- 2-EZ[®]SB Plus 120 volt / 1 ph / 15A

Model	Case Size Min* (LxWxH)	Case Size Max (LxWxH)	Speed: CPM**	Overall System Footprint (approx)
2-EZ [®] HS	8" x 6" x 5" (203x152x127mm)	24" x 16" x 18" (610x406x457mm)	up to 20	8'4" x 9'4" (254x285cm)
2-EZ [®] SB	8" x 6" x 5" (203x152x127mm)	20" x 16" x 18" (508x406x457mm)	up to 15	8'4" x 8'5" (254x257cm)
2-EZ [®] SB Plus	8" x 6" x 5" (203x152x127mm)	24" x 16" x 18" (610x406x457mm)	up to 12	8'4" x 8'5" (254x257cm)

* Hot melt applications case size minimum 8 x 8 x 5"

** Speeds are case size dependent



5365 East Center Dr. NE Canton, OH 44721
Phone: 1-800-521-9072 Fax: 330-456-4644

www.combi.com

© 2011 Combi Packaging Systems LLC
a joint venture company with 3M and M J Maillis Group