



Simply EASY!

PRESSURE SENSITIVE LABEL APPLICATOR

*joust*  
TOP & BOTTOM

JOUST TOP & BOTTOM



The Joust is Nita's high-end servo-driven labeling system optimized for top & bottom applications providing maintenance-free labeling of trays, boxes, containers & more. The Joust applies clear and opaque pressure sensitive labels, it is efficient, accurate and Simply Easy to use. Setup recipes are given names and recalled from the operator touch screen. Variables such as: speeds, label and product lengths are automatically adjusted.

### CONSTRUCTION

- Two **servo**-driven labeling heads (configured top & bottom)
- No proprietary electronics or microprocessors – components available worldwide
- Robust stainless steel & high grade anodized aluminum construction
- Precision gradient scales on all adjustments: displayed in setup recipes
- User friendly color-evident anodized adjustments
- Tool-less changeovers
- Conveyor with side guides: 24" wide x 60" long x 38" high. Height adjustability of +/- 1"
- Brush kit for top labeler
- Laterally configurable conveyor belts from 1" to 12"



### CONTROL

- Programmable **servo**-controller (open architecture internal network)
- Standard 5.7" touch screen interface on pole mount
- On-screen diagnostics and speed controls
- Automatic missing label compensation/label length detection
- True scalable setting memorization for 50 set-up recipes
- Status lamp tower with alarm
- Complete encoded synchronization
- Production quantity counter alert
- Digitally controlled gap and product sensors –never physically move the sensors again
- Labelers activated individually



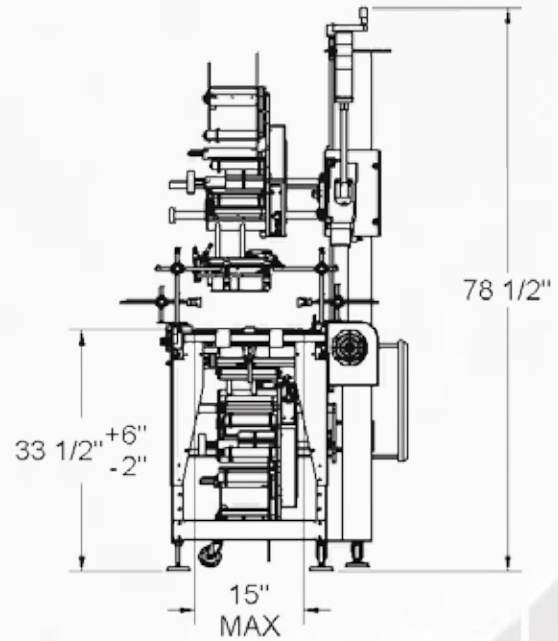
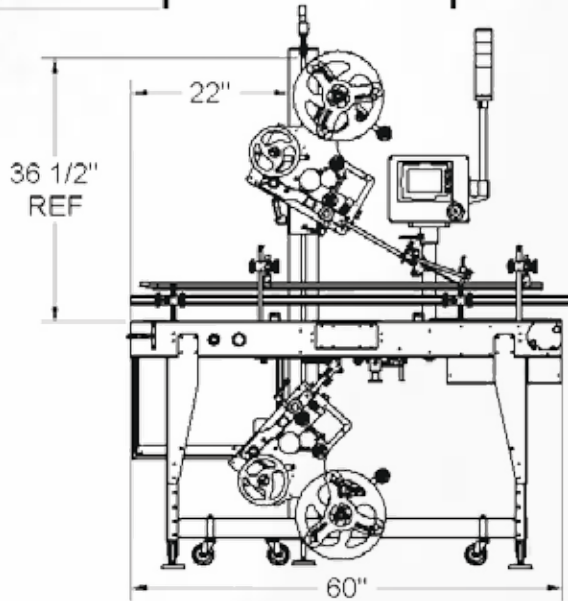
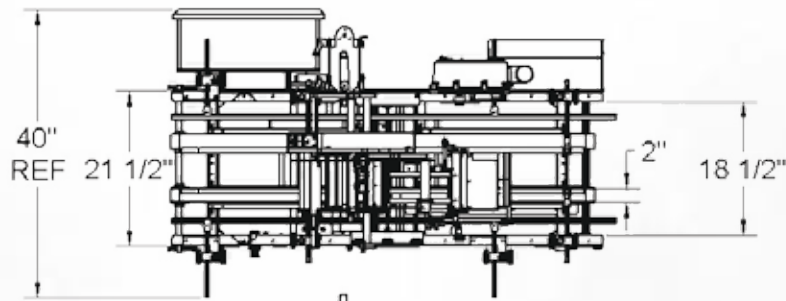
### PERFORMANCE

- Single belt drive technology for fast and accurate ramp up and ramp down
- Synchronized speeds up to 1570"/min (40 meters/min)
- Label placement accuracy +/- 1/16"
- 25" vertical adjustability for labeler

NITA - LABELING EQUIPMENT [WWW.NITALABELINGEQUIPMENT.COM](http://WWW.NITALABELINGEQUIPMENT.COM)  
1051 DU VIGER STREET, TERREBONNE (QC), CANADA, J6W 6B6, 1.877.961.4008



## JOUST Top & Bottom Labeler - Specifications



Power:	200-240 VAC, single phase, 60 Hz, 10 amps
Labeling rate:	Synchronized 1570"/min (40 meters/min)
Accuracy:	+/- 1/16"
Min. label:	1/2" wide x 1/2" long
Max. label:	6" wide x 20" long
Media roll size:	12" (305mm) OD on 3" (76mm) CORE
Motor:	(encoded) synchronized SERVO
Controller:	Touch screen Human Machine Interface (HMI)
Weight:	200 Lbs.
Label detection:	Photoeye (fixed)
Available options:	Wide web width up to 9" (229mm) Clear label sensor Shellshock option (C-shaped application) Spring loaded top guides Wipe gate Loose loop printer (for Print & Apply) Thermal inkjet coder



Distributed by:

