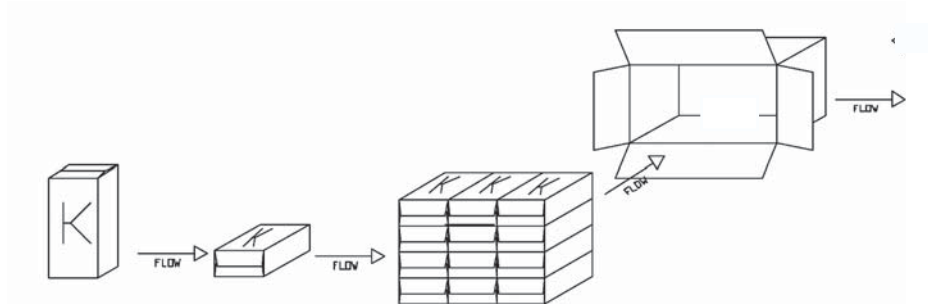


CHL Horizontal Loader with integrated Case Erector and Sealer



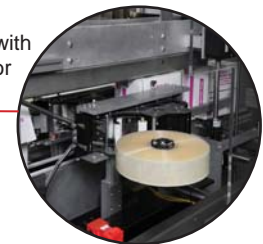
The CHL horizontal loading system provides flexibility by opening, loading and sealing a case that is laying horizontally, thereby decreasing the footprint of the system and accommodating a wider range of products. The CHL is integrated with the Combi SCE case erector and also features a sealer equipped with your choice of pressure sensitive tape or hot melt glue. Whether your product requires upstacking, downstacking, or progressive collation, the compact CHL is adaptable to your product and your floor-space requirements.



This custom designed system allows for many pack patterns and product sizes on the same machine and offers many collation methods for product grouping and orientation. Actual speed for a system can be determined after reviewing product and case samples.



Progressive upstacking collates and stages product for loading



Integrated case sealing with pressure sensitive tape or hotmelt glue



Horizontal Case Erecting and Discharge



CHL Horizontal Loader

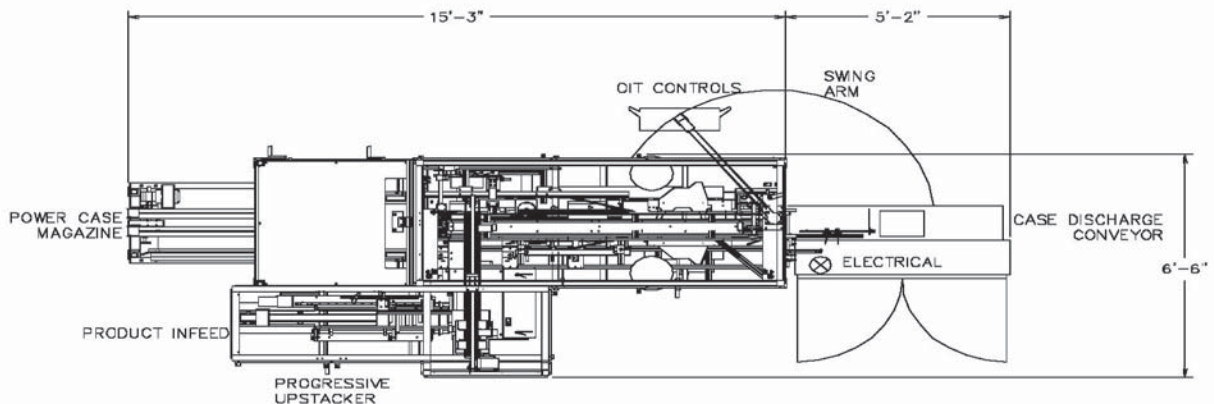
Standard Features

- One Piece Tubular Welded Frame with Steel-It Paint
- High Volume Vacuum with Positive Two Panel Case Opening
- Positive Major & Minor Flap Folding
- 2 Axis Independent Servo System and Controller Servo Drive Case Indexing System with Self-Contained I.O. Electrical Controls
- Product Infeed Brake and Gate Mechanism with Back Pressure Relief
- Product Pushing Unit with Two-Stage Cylinder and Product Collation Area to Stage and Load Product into the Waiting Cases
- Descending Stacker for Multiple Layers of Product
- Horizontal Case Discharge



Products that can be packed more efficiently when horizontal:

- Nested Cups, Paper Plates
- Chipboard Cartons
- Shrink & Cello-Wrapped Product
- Multi-packs
- Paper Towels, Toilet Tissue Rolls
- Caulking Tubes
- In-Wall Ironing Boards
- Rolled Roofing Material
- Tape Rolls
- Wallpaper Rolls
- Wrapping Paper Rolls



Distributed by:



5365 East Center Dr. NE
Phone: 1-800-521-9072

Canton, OH 44721
Fax: 330-456-4644

© 2006 Combi Packaging Systems LLC